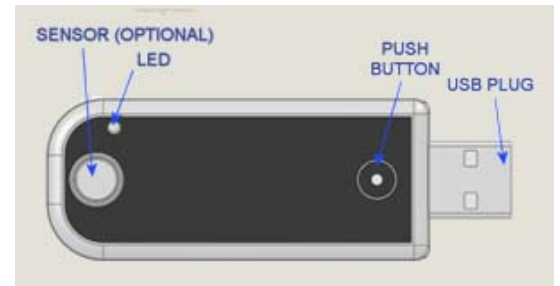


## Track-It™ USB Blind Data Logger Instructions

The Track-It™ Data Logger is an extremely versatile compact battery powered data logger that can record up to 2 channels of data. It has a wide range of triggering and alarm options as well as differing input options. It has a built in multicolor LED to view status in the field. It works in conjunction with the Track-It™ PC Software. The unit plugs directly into a USB port on the PC to allow programming, upload of data and to display data on the PC in real time (certain modes only).



**Push Button/LED functionality:** The push button can be used to check status or to change the state of the data logger. For instance, it can be used to start and stop recording if desired. This feature can also be disabled to ensure the data logger state remains unchanged until connected to a PC.

### TO CHECK STATUS

**Short press and release:** LED will flash in various patterns to indicate data logger status:

The flash sequence is: Battery status > Record status > Alarm status

One long red flash at the beginning of the flash sequence indicates low battery. (no red flash = battery ok)

One long red flash at the end of the flash sequence indicates an alarm. (no red flash = no alarm)

Slow red/green blink: Connect to PC. Unit is NOT set up or memory is full.

### TO CHANGE STATE

Press and Hold, release when LED turns steady green: Changes record state on/off

Press and Hold, release when LED turns steady red: Reset alarm indication

Press and Hold, release after LED goes off: No change

The table below summarizes the push-button / LED functionality.

STATUS—Press & Release Button			STATUS
LED Pattern			
Lo Batt.	>>>> Record >>>>>	Alarm	LED Sequence
[Red]	[Green/Red]	[Red]	Low battery - one RED blink (No red if battery OK)
[Green]	[Green/Red]	[Red]	Recording or triggered to record - fast GREEN/RED blink
[Green]	[Green]	[Red]	Idle/Not recording - one long GREEN blink
[Red]	[Green]	[Red]	Alarm occurred - one long RED blink (No red if no alarm)
[Red]	[Green]	[Red]	Not set up or memory full - slow RED/GREEN blink, connect to PC

CHANGE STATE—Press & Hold Button		RESULT OF BUTTON RELEASE
[Green]	[Red]	LED pattern
[Green]	[Red]	Release button while LED GREEN - Turn record mode on/off*
[Red]	[Red]	Release button while LED RED - Reset alarm indication*
[Off]	[Off]	Release button when LED goes off - No change

\*NOTE: Feature must be enabled in software

## Analog Input

Most Track-It™ Data Loggers have the ability to measure up to 2 channels of analog inputs (4-20mA, 0-5Vdc etc) using external analog modules that plug onto the USB connector. These are programmed using the Track-It™ PC software.

**NOTE:** Analog recordings are made via the USB connector. If possible (button programmed) STOP RECORDING before plugging the recorder into the PC so as not to record the USB signals, otherwise use the Track-It™ software "Stop Recording" button under the Device Setup tab as soon as the device is plugged into the PC.

## Protection

The data Logger comes with a rubber boot that can be installed to protect the USB connector and provide some degree of bump and splash protection. The unit should have the boot installed when traveling. The button can be operated when the boot is in place. The boot cannot be fitted when analog modules are attached. The unit should not be immersed in liquid.



## Track-It™ Software

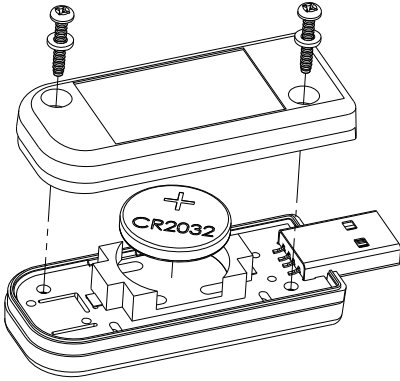
The Track-It™ PC Software allows the data logger to be programmed, allows the data to be retrieved, displayed, saved to disk or exported to Excel™. Data can also be displayed in real time (on devices using internal sensors). The software has both simple and advanced modes for programming data loggers. Some of the features are:

- Delayed recordings, fixed duration recordings by time or number of samples, multiple record times, manual record by button press, record on alarms.
- Sample rates from 2 seconds to 24 hours. Instantaneous, average, maximum or minimum values.
- Two Alarms, high or low, latched or momentary and record under these alarm conditions
- Input scaling and offset for analog modules. Engineering unit selection for internal sensors.
- Button function - record off/on, status indication, reset alarm indication.
- Display of data graphically, digitally or tabular formats with alarm indication.
- Export user selected data in Excel™ or CSV formats. Filter data to be exported.
- Simple setup (single screen) or advanced mode.

## Replacing the Battery

To replace the battery - loosen the two screws on the back of the Logger and remove the bottom case half. Caution - the screws have small plastic washers. There are two battery options. Replace the relevant battery then replace the cover and the screws.

Option 1 - Coin Cell CR2032 3.0V



Option 2 - Lithium Thionyl Chloride EF651625 3.6V (LTC-7PN)

